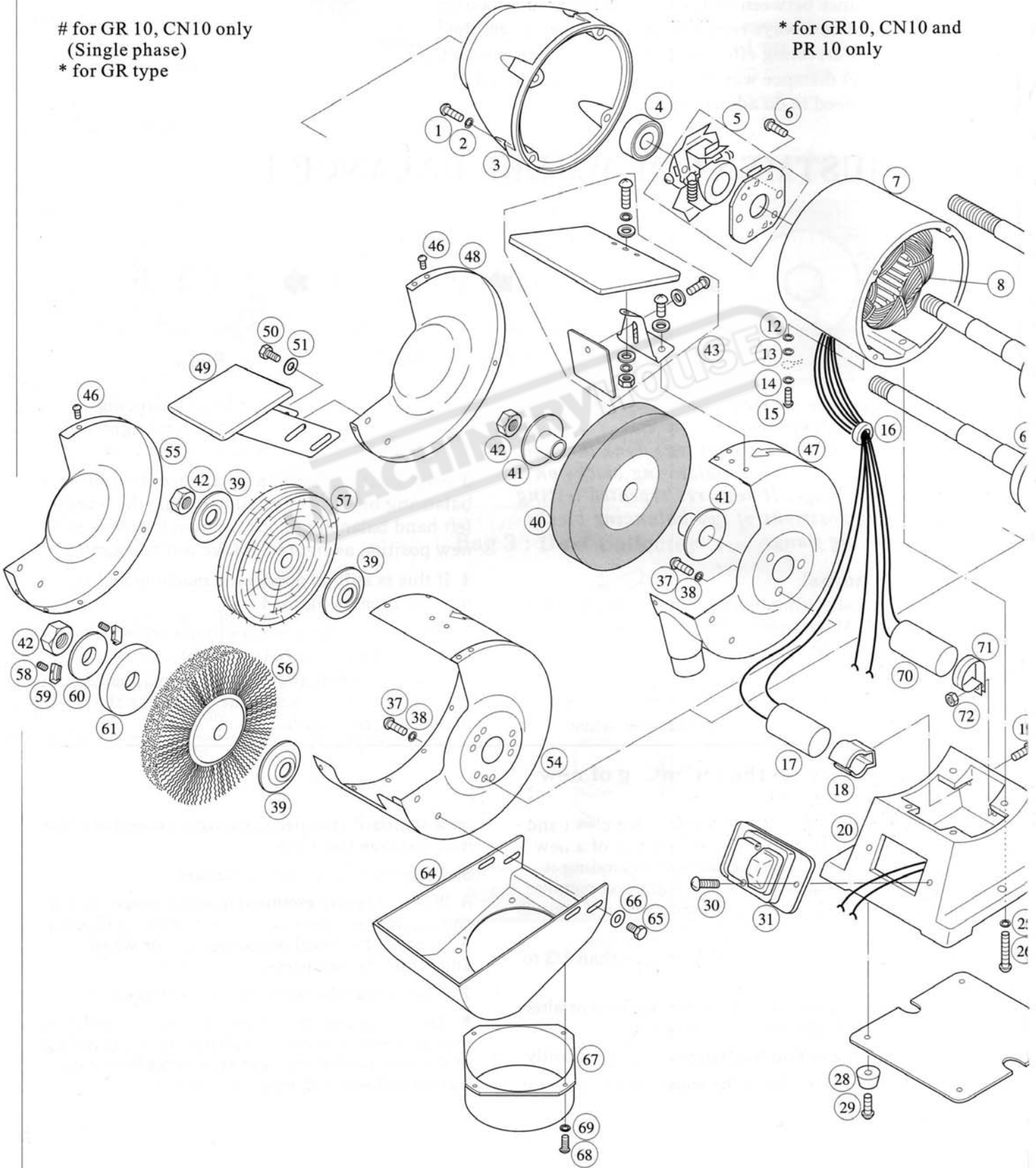


- | | | | |
|-------------------------|-----------------------|--------------------|-------------------------|
| 1. Screw | 10. Fan | 20. Grinding Base | 30. Screw |
| 2. Spring Washer | 11. Right Support | 21. Screw | 31. NVR |
| 3. Left Support | 12. Ext. Washer | 22. Cable Strainer | 32. Overload Protector* |
| 4. Ball Bearing | 13. Copper Set | 23. Fixing Plate | 34. Spring Washer* |
| 5. Centrifugal Switch # | 14. Int. Washer | 24. Power Cord | 35. Hex. Nut* |
| 6. Screw | 15. Screw | 25. Washer | 36. Screw |
| 7. Stator Housing | 16. Grommet Rubber | 26. Screw | 37. Screw |
| 8. Stator | 17. Running Capacitor | 27. Base Plate | 38. Spring Washer |
| 9. Rotor Shaft* | 18. Clamp | 28. Pad | 39. Disc Washer |
| | 19. Screw | 29. Screw | |

for GR 10, CN10 only
(Single phase)
* for GR type

* for GR10, CN10 and
PR 10 only



- | | | | |
|-------------------------|-------------------------|----------------------|--------------------------|
| 40. Grinding Wheel | 50. Hex. Bolt | 60. Washer | 70. Starting Capacitor * |
| 41. Sleeve | 51. Washer | 61. Balancing Flange | 71. Clamp * |
| 42. Hex. Nut | 52. Right Int. Cover B | 62. Rotor Shaft*1 | 72. Hex. Nut * |
| 43. Eyeshield Set | 53. Right Wheel Cover B | 63. Rotor Shaft*2 | 73. Wiring Board |
| 44. Right Int. Cover A | 54. Left Int. Cover B | 64. Dust Collector | |
| 45. Right Wheel Cover A | 55. Left Wheel Cover B | 65. Hex. Bolt | |
| 46. Screw | 56. Wire Brush | 66. Washer | |
| 47. Left Int. Cover A | 57. MOP/Buffer | 67. Chip Outlet | |
| 48. Left Wheel Cover A | 58. Set Screw | 68. Screw | |
| 49. Toolrest | 59. Balance Block | 69. Spring Washer | |

44+45+47+48 for GR type
 47+48+52+53 for CN type
 52+53+54+55 for PR type

*1 for CN type
 *2 for PR type

*for GR 10, CN10 only
 (Single phase)

